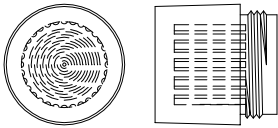
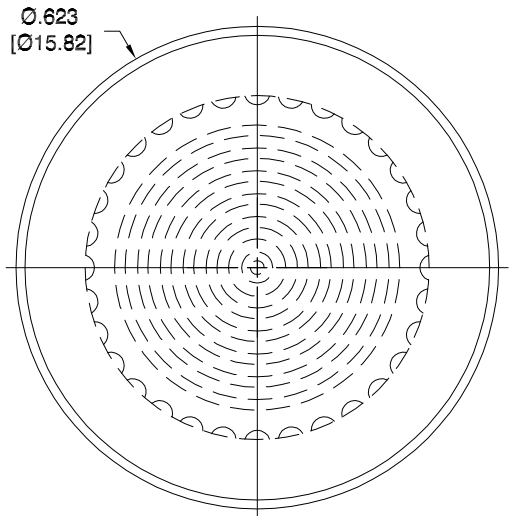


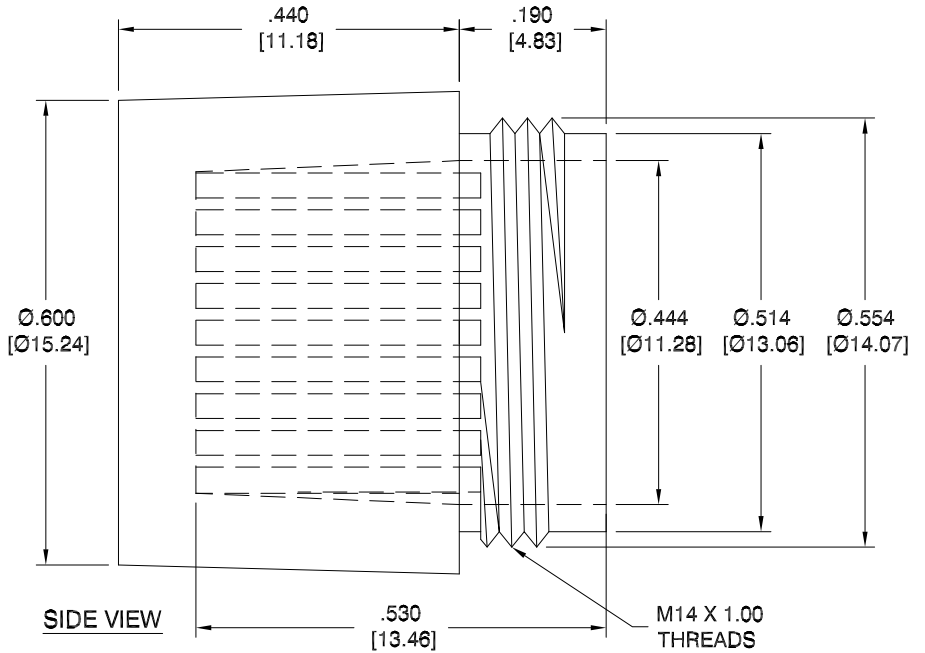
LTR	REVISION	DATE	APPD
-	RELEASED	01-08-20	



ACTUAL SIZE



TOP VIEW



SIDE VIEW



NOTES:

1. ALL DIMENSIONS ARE IN INCHES [MILLIMETERS].
2. LENS MATERIAL: POLYCARBONATE-UV STABILIZED. (UL94V-2)

LEDTRONICS PART NO.	LENS COLOR
LENS-LCF780-CAF	CLEAR AMBER
LENS-LCF780-CGF	CLEAR GREEN
LENS-LCF780-CRF	CLEAR RED
LENS-LCF780-CYF	CLEAR YELLOW
LENS-LCF780-CWF	WATERCLEAR
LENS-LCF780-TWF	TRANSLUCENT WHITE

REVISION NOTIFICATION	
<input type="checkbox"/>	DLC
<input type="checkbox"/>	UL/ETL
<input type="checkbox"/>	MADE IN USA
<input type="checkbox"/>	CUSTOMER _____
<input type="checkbox"/>	OTHER
REDLINE CHECKLIST	
<input type="checkbox"/>	REDLINE(YES)
<input type="checkbox"/>	DATE: _____
<input type="checkbox"/>	INITIATED BY: _____
<input type="checkbox"/>	ECR REQUIRED YES <input type="checkbox"/> NO <input type="checkbox"/>
<input type="checkbox"/>	WORK ORDER# _____

LED[®]
LEDTRONICS,™ INC.
 23105 KASHIWA COURT
 TORRANCE, CA 90505

-PROPRIETARY-
 This document contains Proprietary information of LEDTRONICS,™ INC. It may not be copied, used or disclosed for any purpose without the prior express written consent of LEDTRONICS,™ INC.

.XXX ± .010 TOLERANCE PER ANSI-Y14.5
 .XX ± .025 (UNLESS OTHERWISE STATED)
 ANGLES ± 0°,30'
 FRACT. ± 1/32

TITLE						LENS-LCF780-XXF					
DWG NO		SCALE		SHEET		DATE					
CMLN0011-CUST		4:1		1 OF 1		01-08-20					
CODE IDENT NO.	DWG BY GP	CHK BY	QA SB	MFG LD	R&D UF						
8Z410	01-08-20		01-09-20	01-08-20	01-08-20						